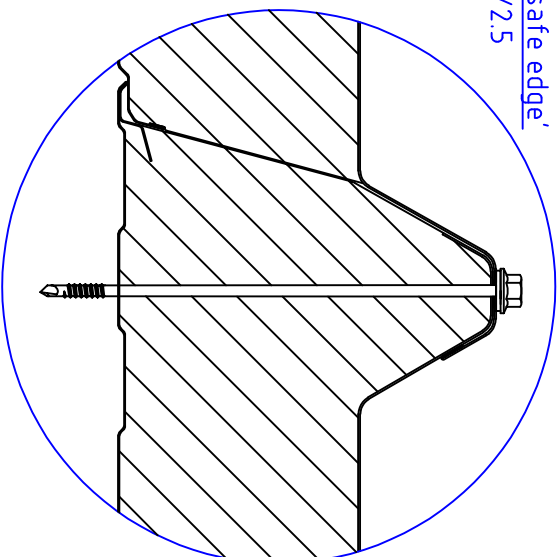
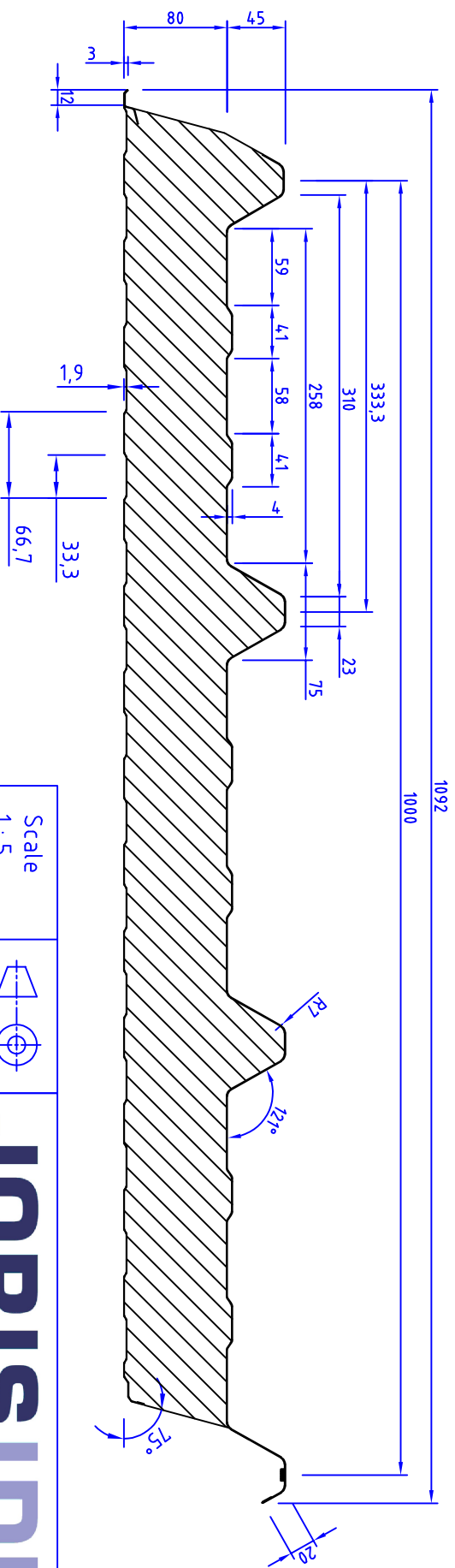
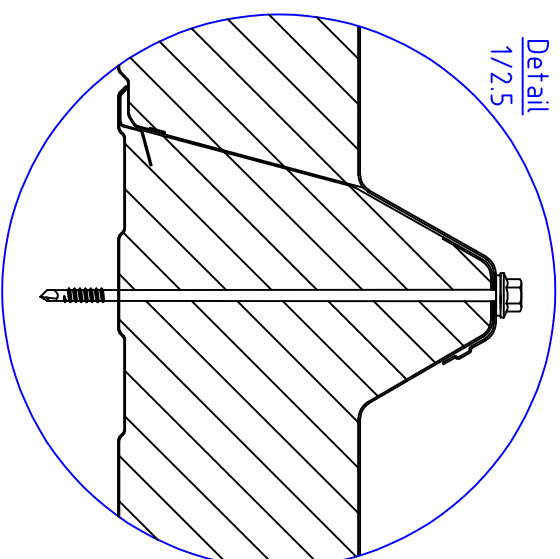


Detail 'safe edge'  
1/2.5



Detail  
1/2.5



1092  
1000

Scale 1 : 5	
Design: MM	Nr.
Approval: LD	Rev. H
Update: 18.09.2023	
J1 ROOF 1000 x 80	

**JORISIDE**  
THE STEEL FUTURE

JORIS IDE nv www.jorisode.be  
Hille 174; 8750 Zwevezele; Belgium  
Tel: 0032(0)51612871 Fax: 0032(0)51612700