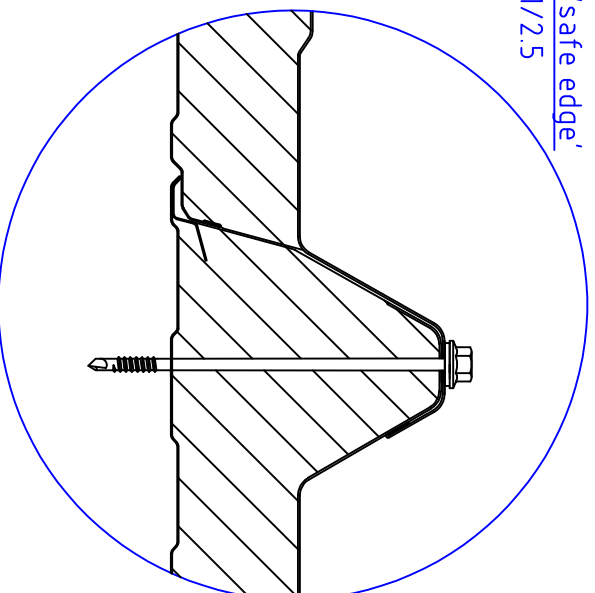
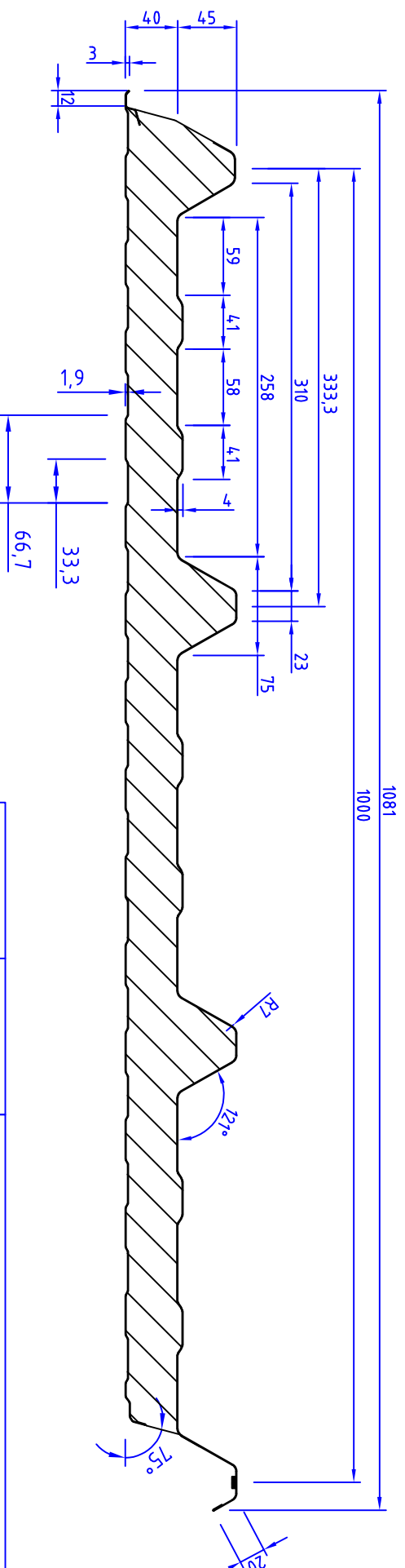
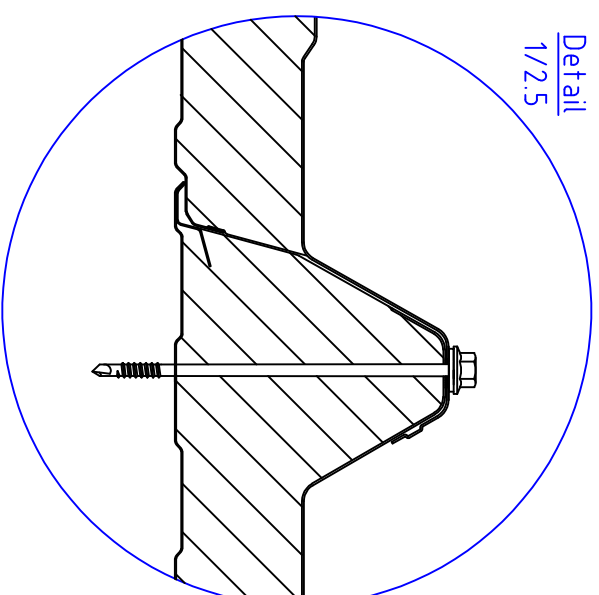


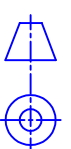
Detail 'safe edge'  
1/2.5



Detail  
1/2.5



Scale  
1 : 5



Design: MM

Nr.

Approval: LD

Rev.

Update: 18.09.2023

H

Jl ROOF 1000 x 40

**JORISIDE**  
THE STEEL FUTURE

JORIS IDE nv [www.jorisode.be](http://www.jorisode.be)  
Hille 174, 8750 Zwevezele, Belgium  
Tel: 0032(0)51612871 Fax: 0032(0)51612700