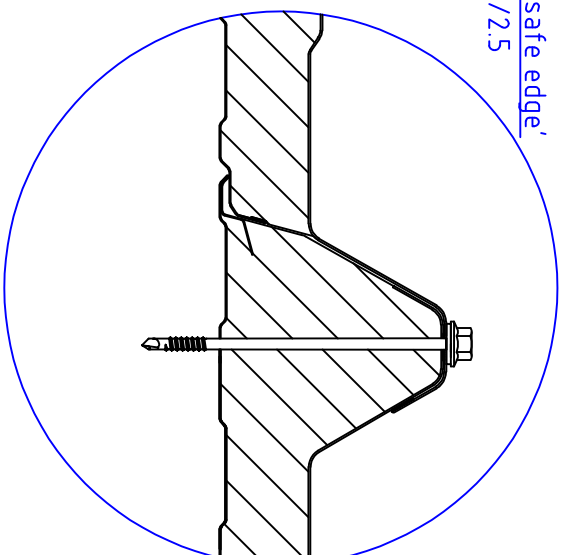
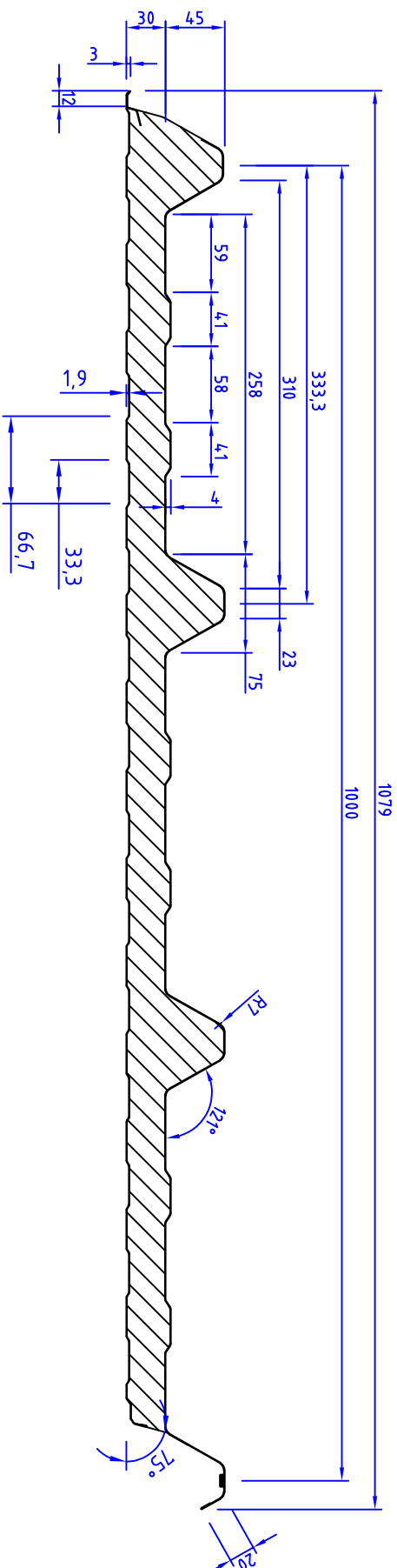
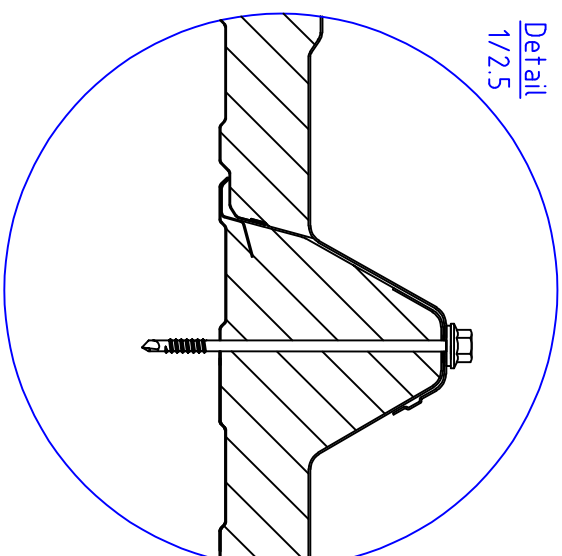


Detail 'safe edge'
1/2.5



Detail
1/2.5



Scale
1 : 5

Design: MM

Approval: LD

Update: 18.09.2023

J1 ROOF 1000 x 30



Rev.
H

JORISIDE
THE STEEL FUTURE

JORIS IDE nv www.jorisode.be
Hille 174, 8750 Zwevezele, Belgium
Tel: 0032(0)51612871 Fax: 0032(0)51612700