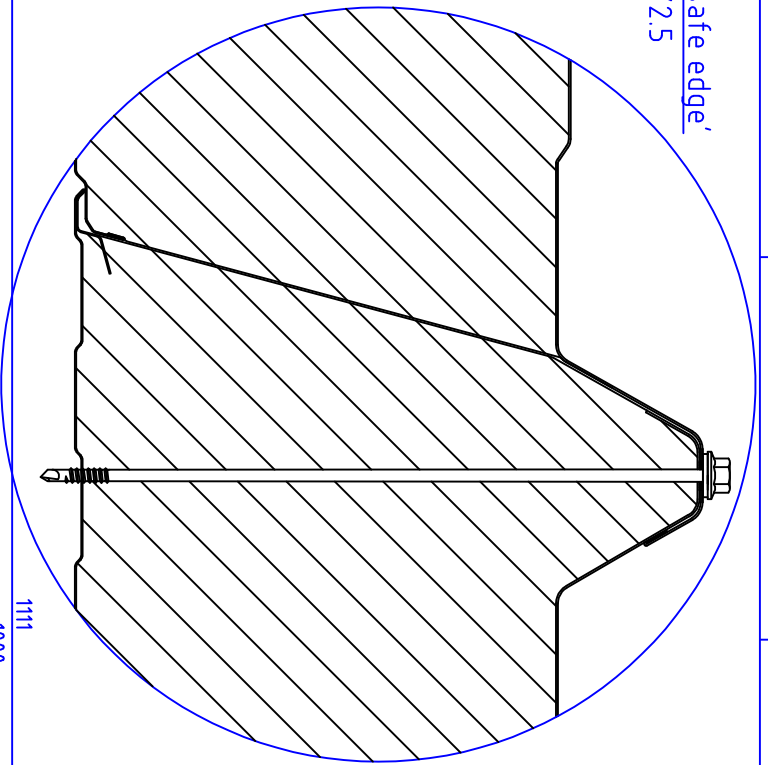
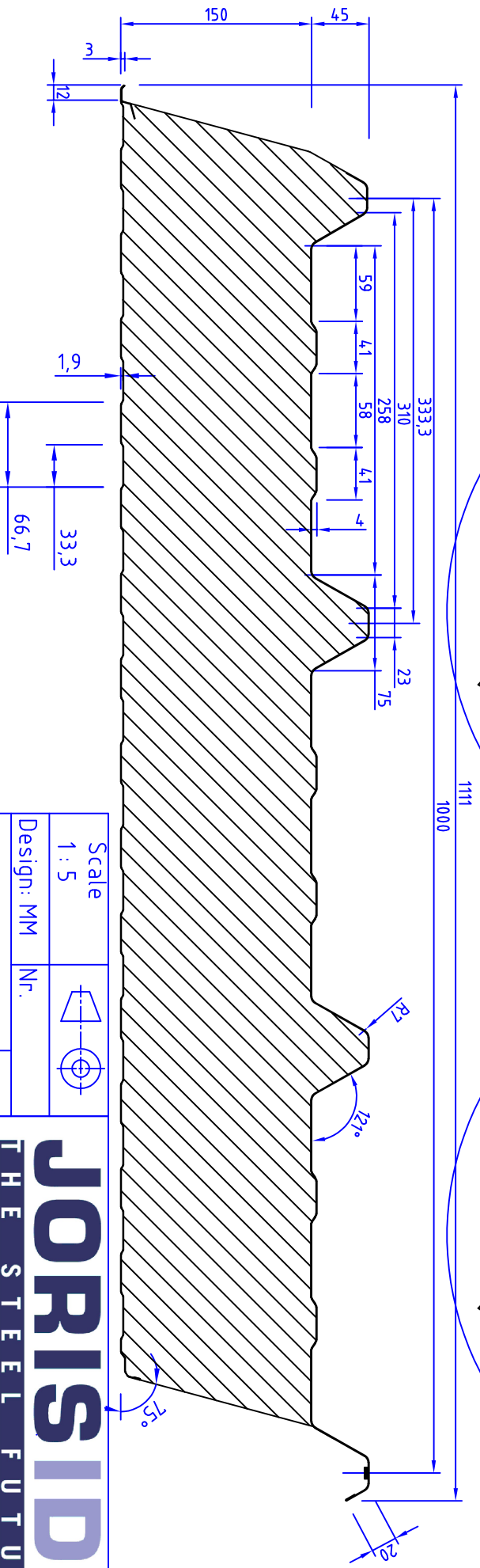
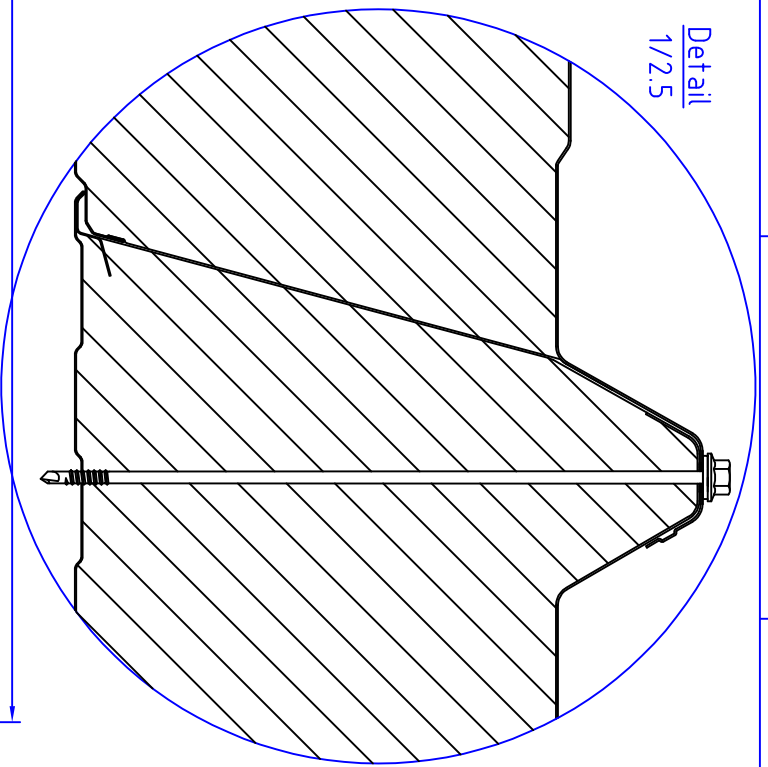


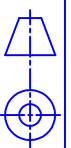
Detail 'safe edge'
1/2.5



Detail
1/2.5



Scale
1 : 5



Design: MM

Nr.

Approval: LD

Rev.

Update: 18.09.2023

H

J1 ROOF 1000 x 150

JORISIDE
THE STEEL FUTURE

JORIS IDE nv www.jorisode.be
Hille 174, 8750 Zwevezele, Belgium
Tel: 0032(0)51612871 Fax: 0032(0)51612700